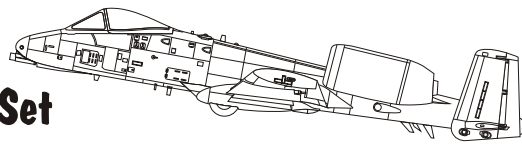


1/48

A-10 / OA-10 Airframe Update Set



item
35

The A/OA-10 Thunderbolt II were the first USAF aircraft specially designed for close air support of ground forces. The main mission for the A-10 is close air support. The main mission for the OA-10 is airborne forward air control. The A/OA-10 is a simple, effective, and survivable aircraft; originally designed for manual pilot operation and control.

In 1990 the A/OA-10 began to receive the Low Altitude Safety & Targeting Enhancements system (LASTE).

This upgrade added computer-aided capabilities including a ground collision avoidance system, enhanced attitude control for aircraft stabilization during gunfire, a low altitude autopilot system, and a computed weapon delivery system. Also added were formation "strip" lights.

In 1999, the A/OA-10 began to receive an update to it's navigational capabilities with the addition of the Embedded Global Positioning System (GPS) / Inertial Navigation System (INS) [EGI].

Various systems updates and additional new systems have pushed the original LASTE computer to it's limits. In 2004 the A/OA-10 began to receive an a new Integrated Flight & Fire Control Computer (IFFCC).

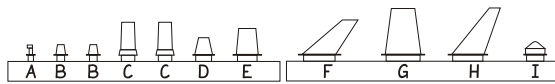
This set is designed for the 1/48 Monogram A-10 model kit.

shull24.com Resin Sets for Modern Jets

www.shull24.com
sales@shull24.com

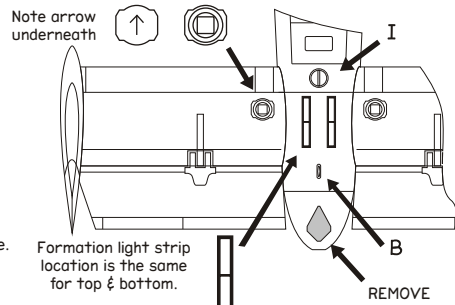
For use by
A-10

Assembly & Paint



Color Guide
EGI, LASTE fairings: fuselage color
LASTE antennae squares: Light Grey or Greenish Grey
Antennas B-I: Black
Antennas B & D can be Grey
Antennas F & H can be White
DTC: Black

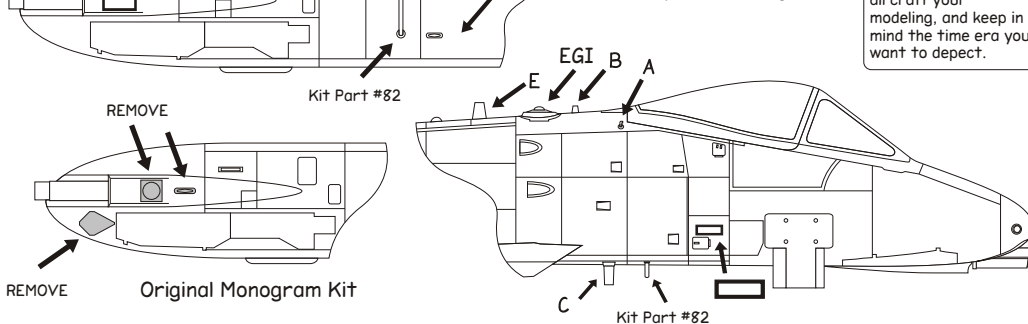
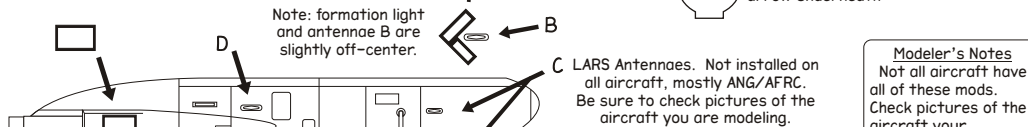
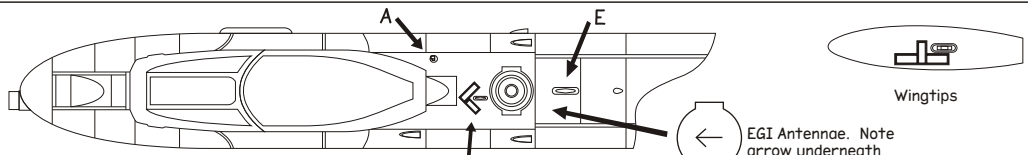
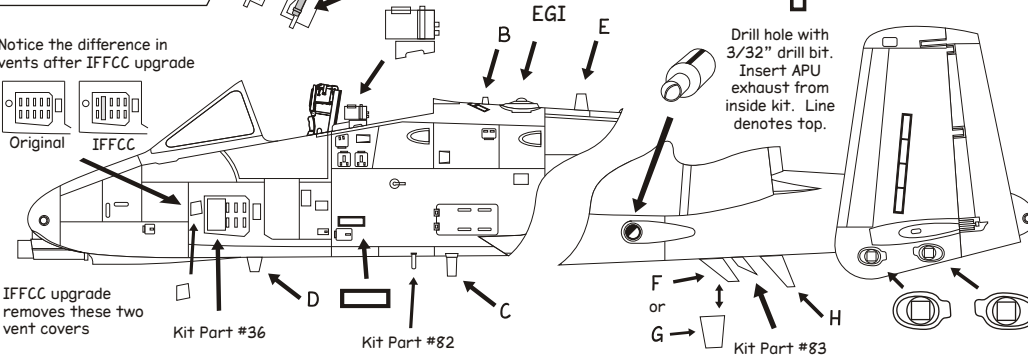
DTC Unit. Remove canister from aft deck (Black Box part #10 shown here), and replace with this two part piece. DTC only installed with EGI antennae.



Notice the difference in vents after IFFCC upgrade



IFFCC upgrade removes these two vent covers



Modeler's Notes
Not all aircraft have all of these mods. Check pictures of the aircraft your modeling, and keep in mind the time era you want to depict.